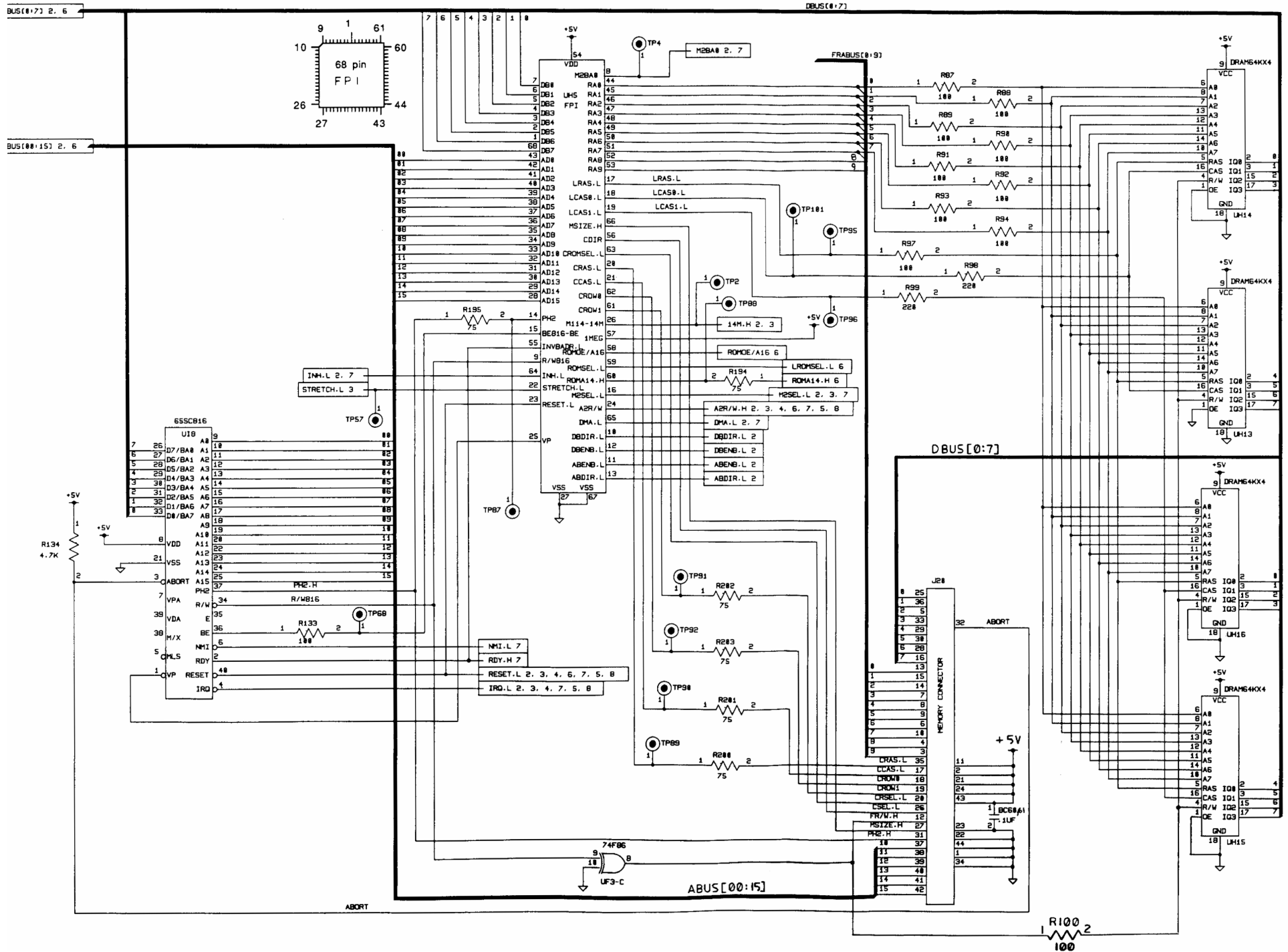
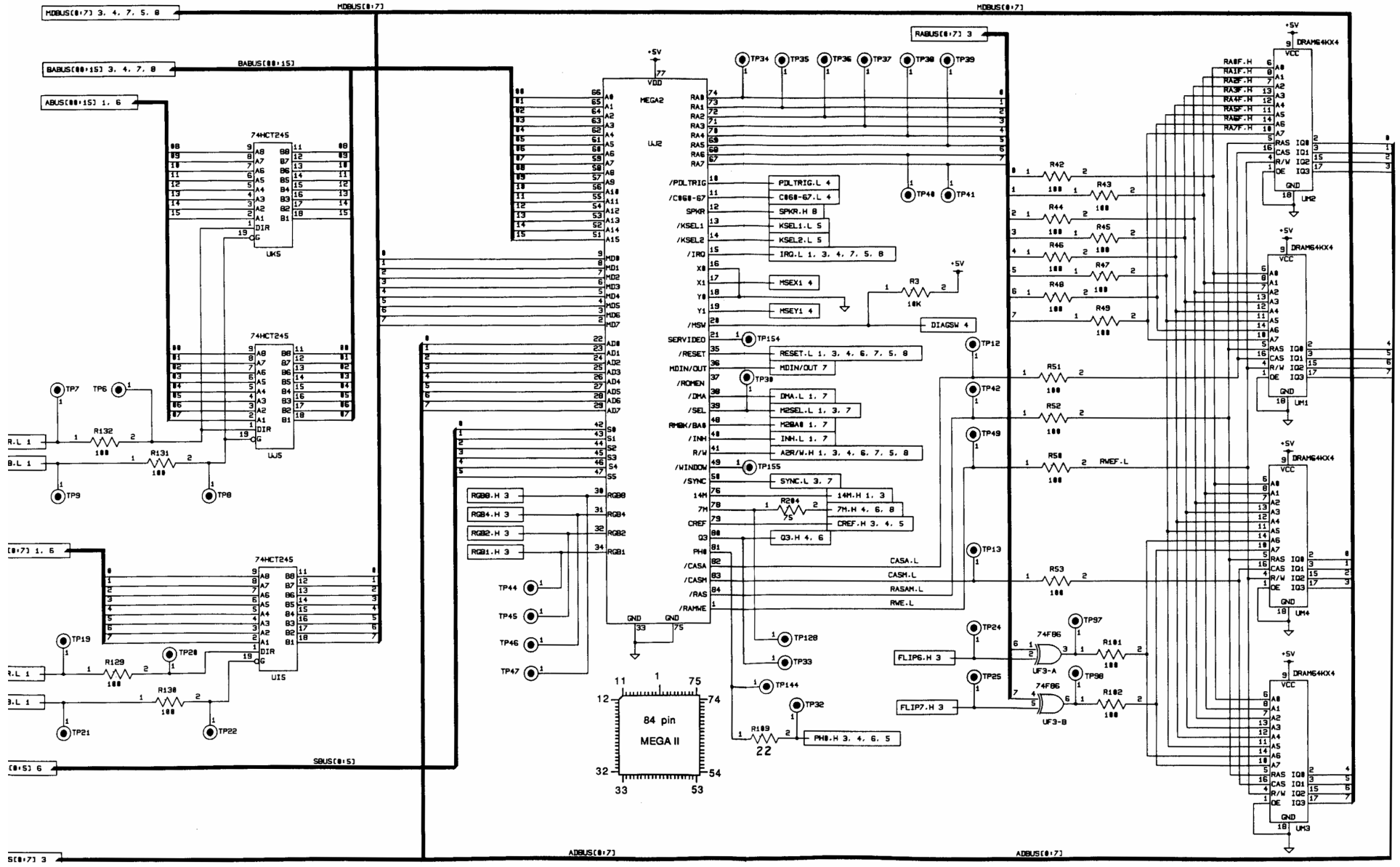


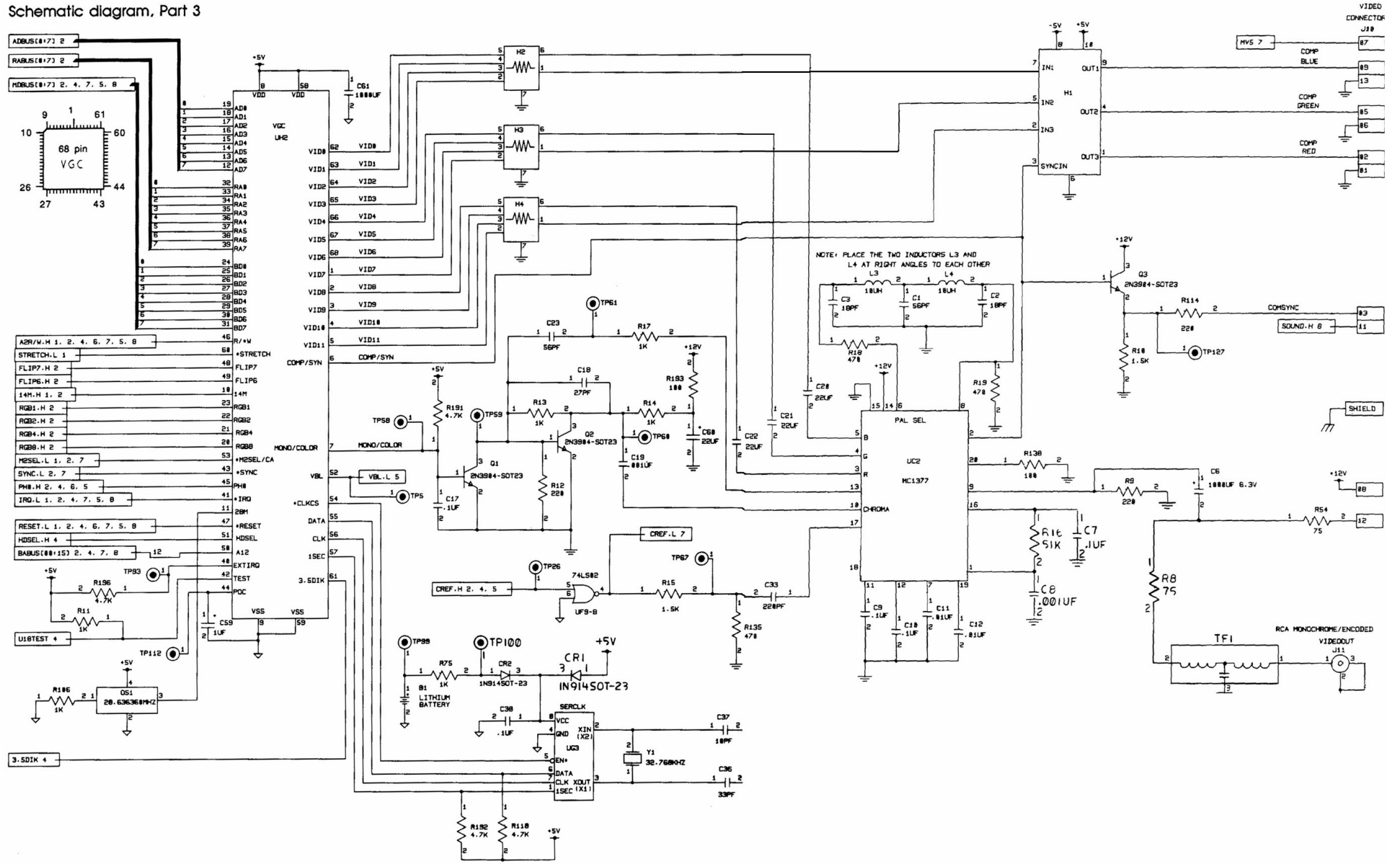
Schematic diagram, Part 1



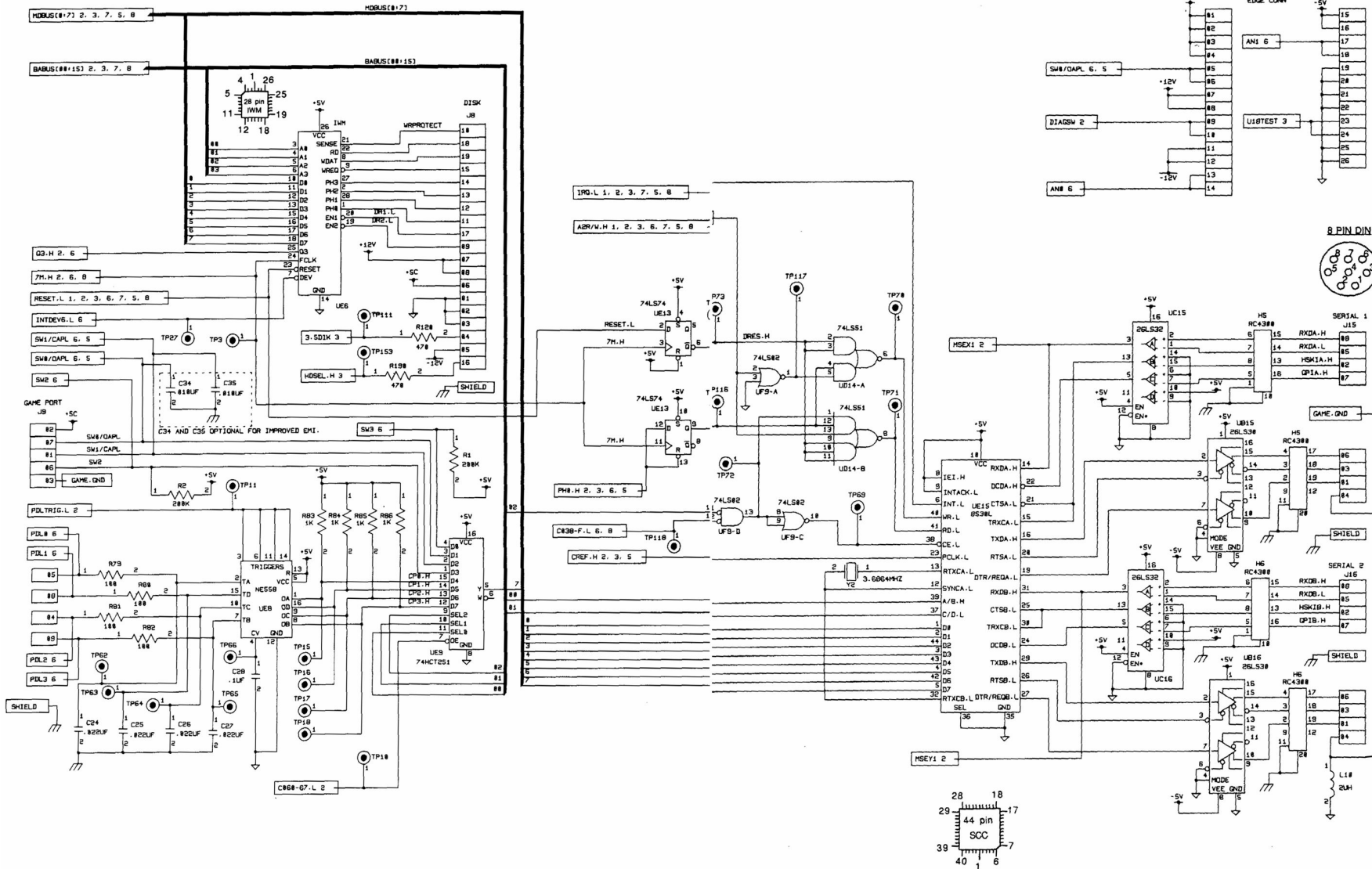
ematic diagram, Part 2



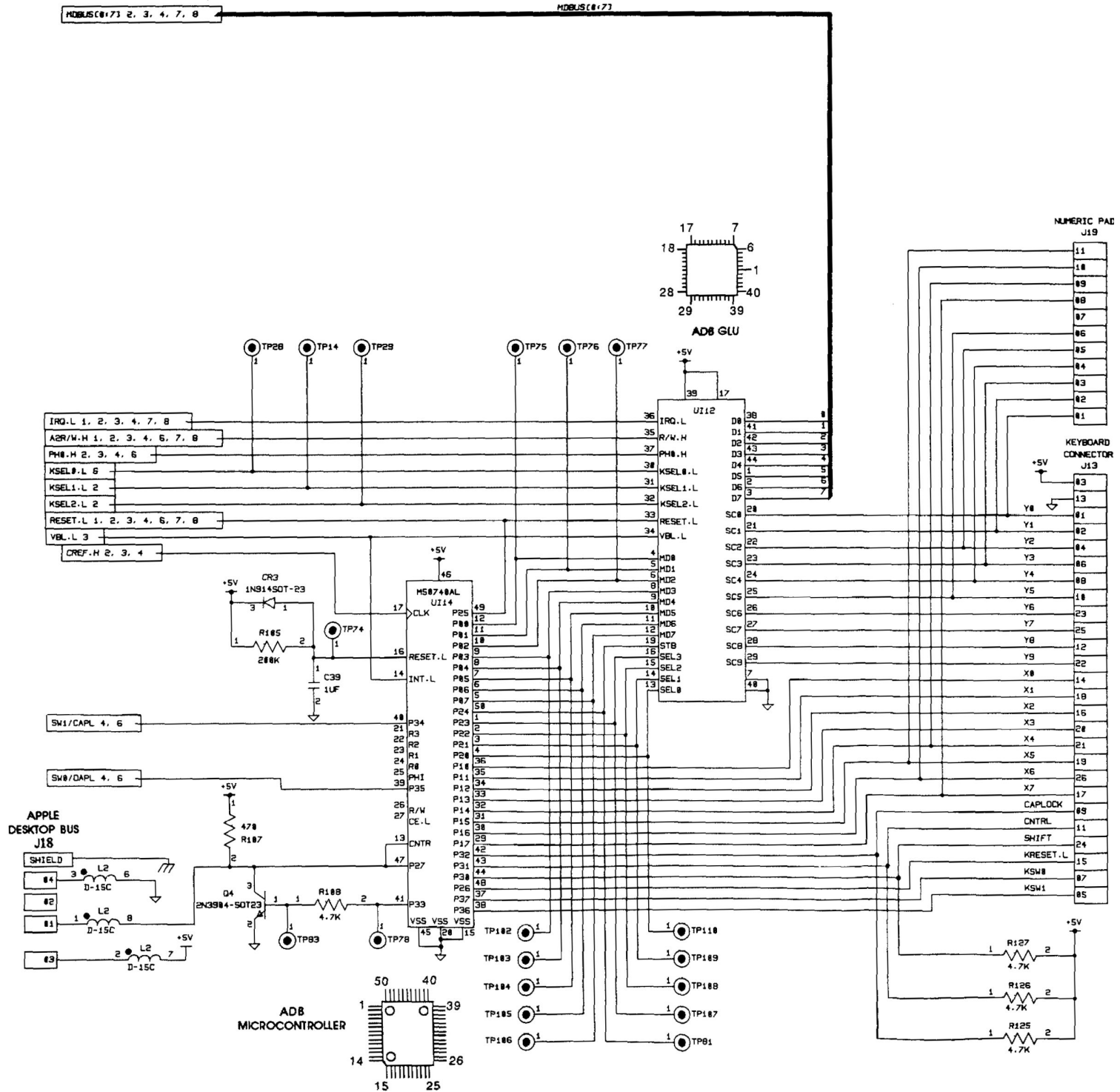
Schematic diagram, Part 3



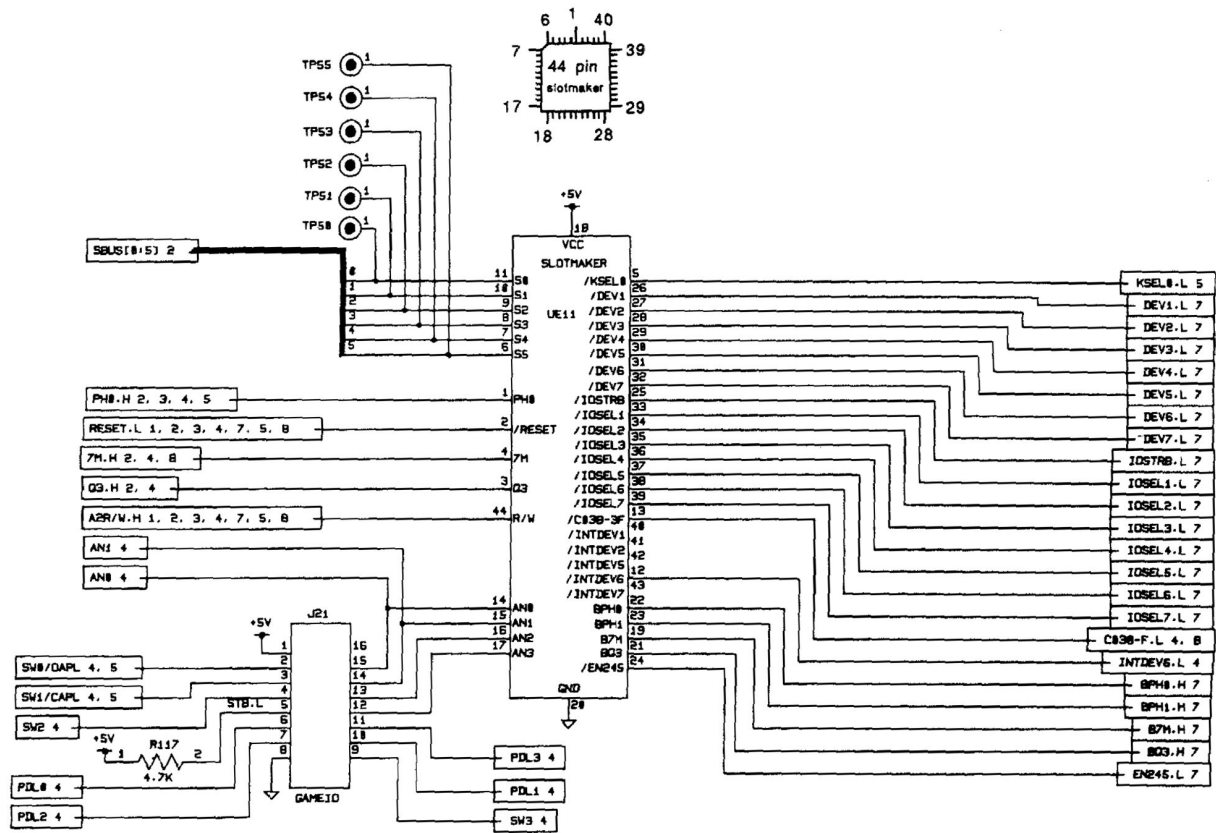
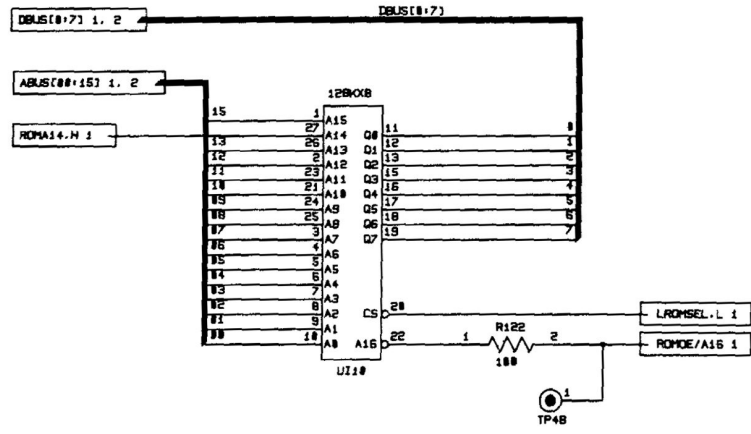
Schematic diagram, Part 4



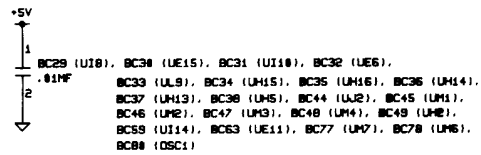
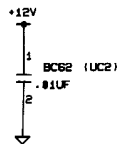
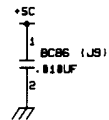
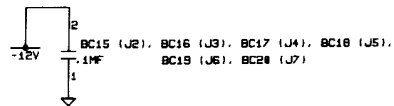
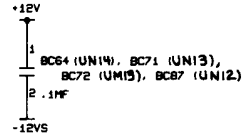
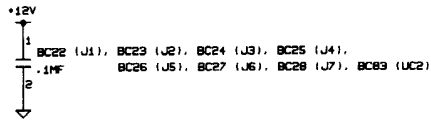
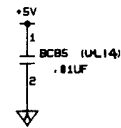
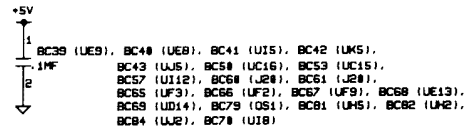
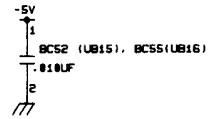
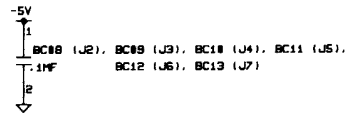
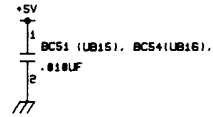
Schematic diagram, Part 5



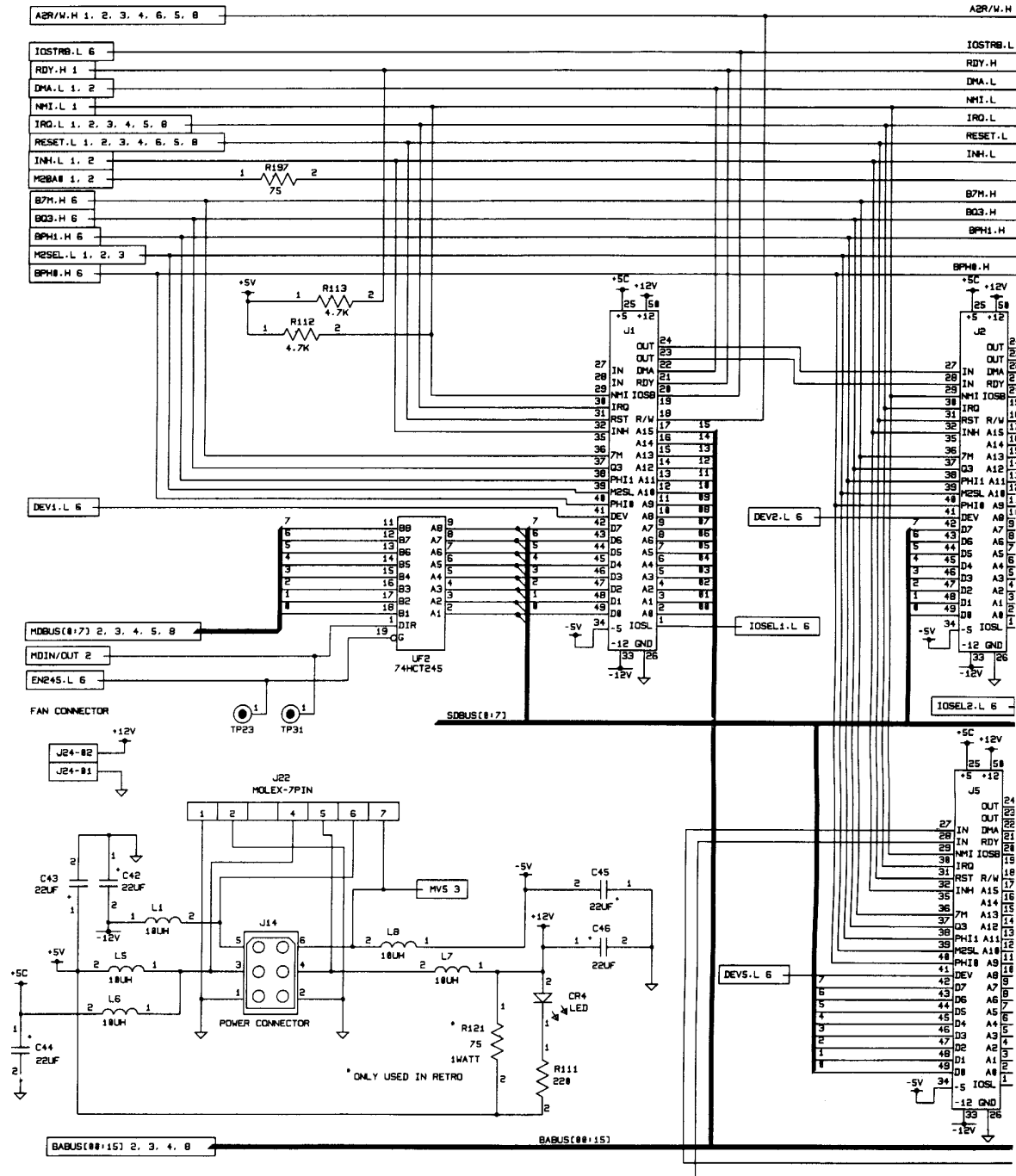
Schematic diagram, Part 6

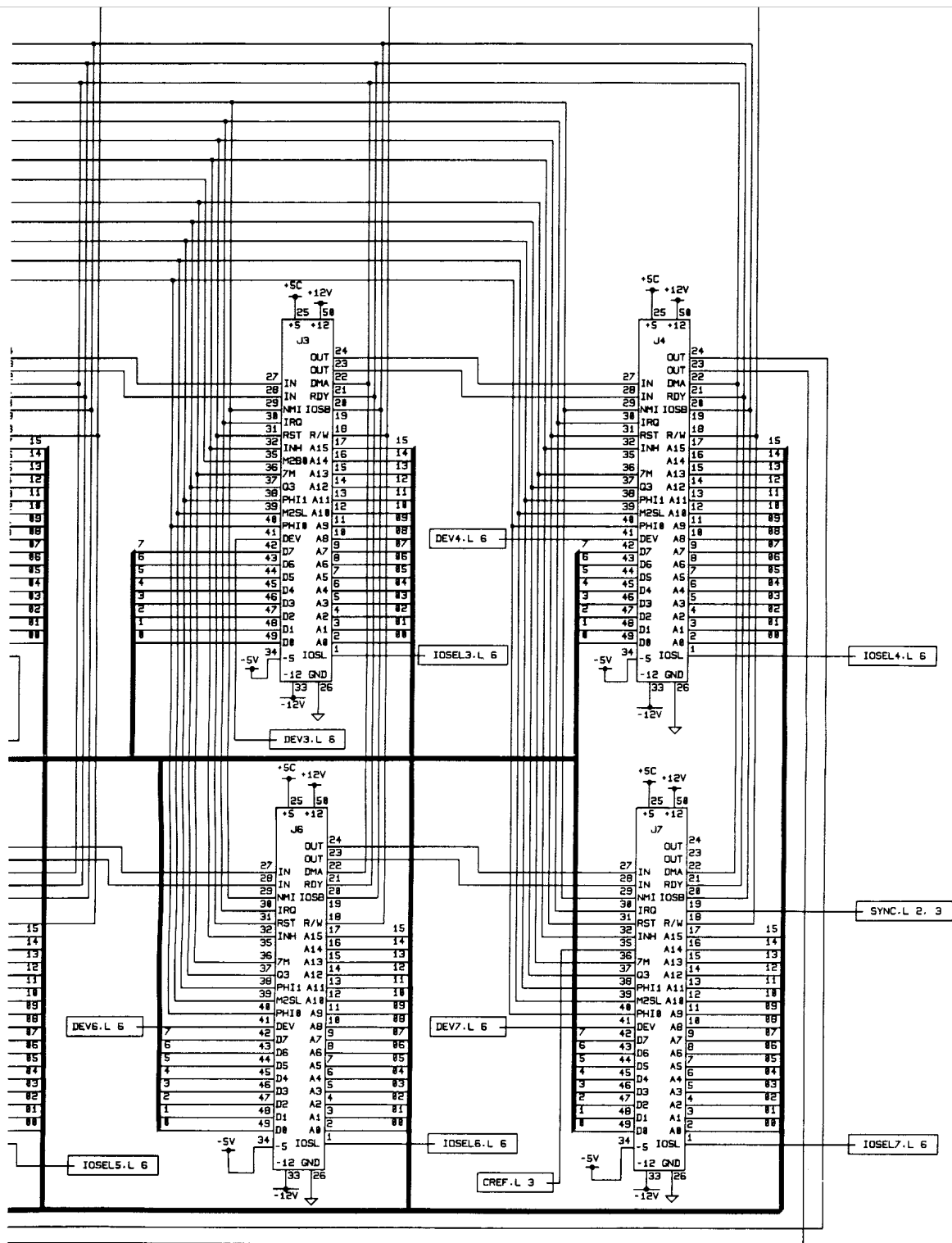


BYPASS CAPACITORS

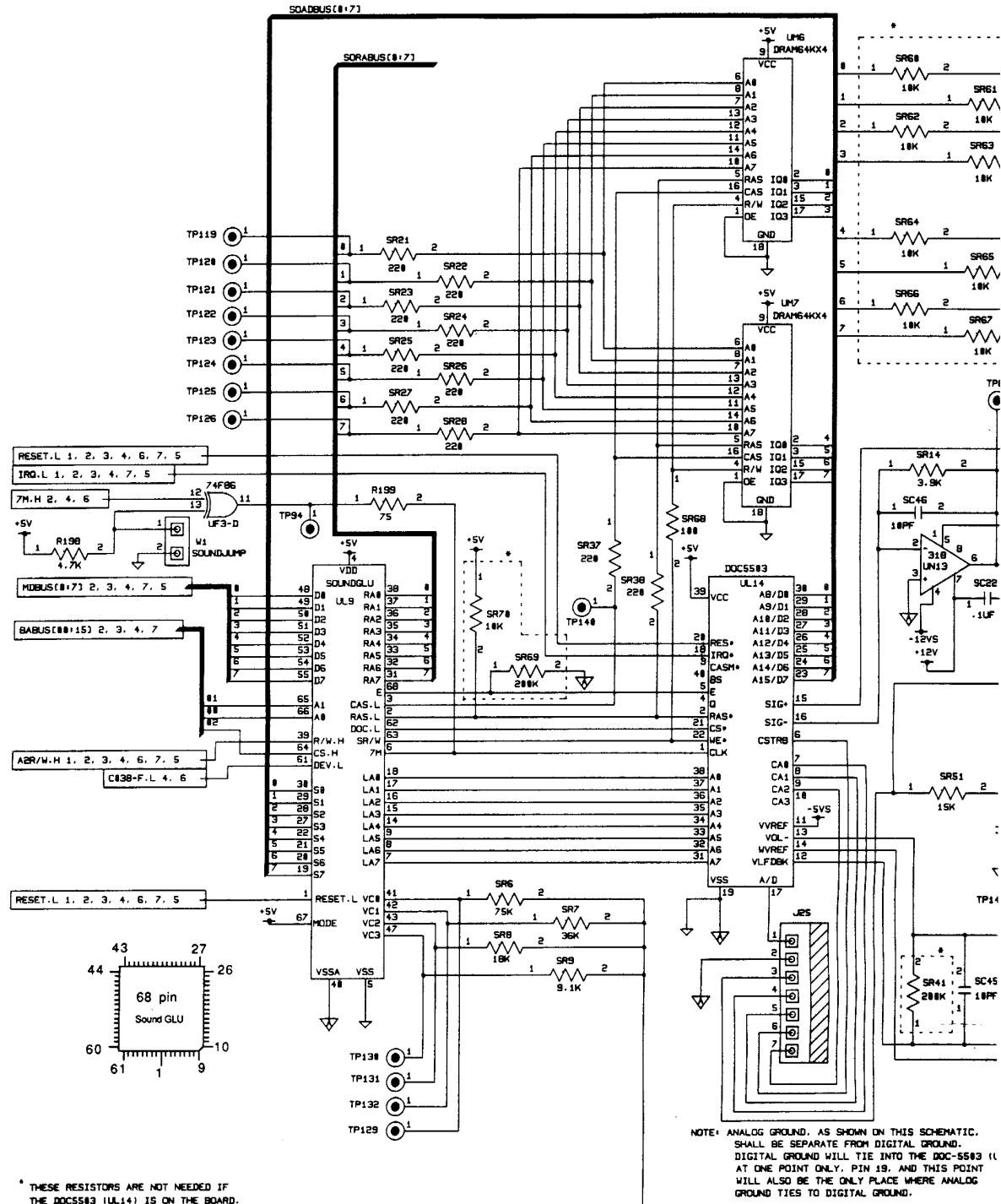


Schematic diagram, Part 7





Schematic diagram, Part 8



* THESE RESISTORS ARE NOT NEEDED IF THE DOC5583 (U14) IS ON THE BOARD.

